



8NSM64-16

8in Mid Frequency Driver

Features

- 2.5in Voicecoil
- High Sensitivity
- Die Cast Enclosure



Specifications

Nominal Diameter	200mm (8in)
Nominal Power (AES) ¹	250W
Program Power ²	500W
Sensitivity (1W/1m) ³	98dB
Voice Coil Diameter	65mm (2.5in)
Magnet Material	Neodymium
Nominal Impedance	16Ω
Frequency Range	290 - 6000Hz

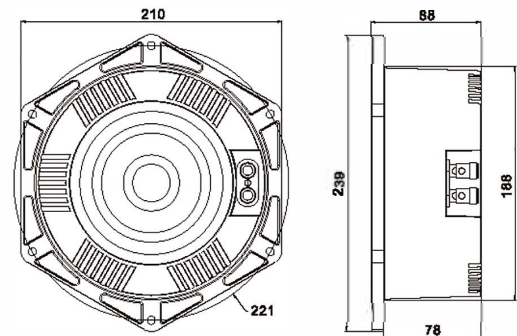
Thiele & Small Parameters

Fs	286.6Hz
Qes	0.92
Qts	0.83
Qms	9.1
Re	10.6Ω
Sd	214cm ²
Vas	0.9L
BxL	20.9Tm
Mms	21.0g
Le (1kHz)	0.5mH
Xmax (lin.) ⁴	±2mm

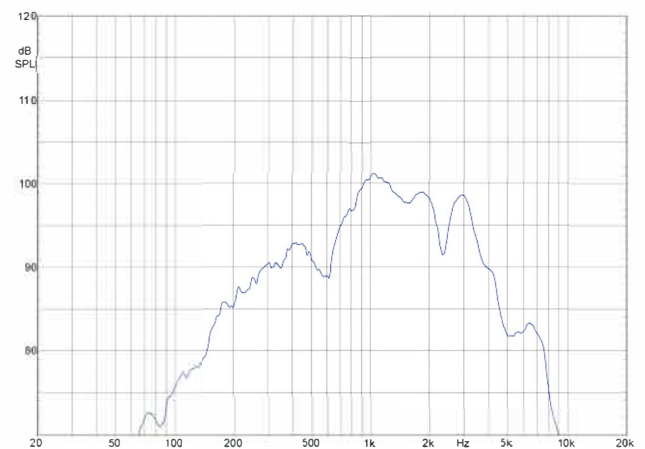
Mounting Information

Overall Diameter	239mm
Mounting Holes Diameter	4x 5.5mm x 6.5mm
Bolt Circle Diameter	221mm
Baffle Cutout	189mm
Overall Depth	88mm
Net Weight	2.5kg

Notes: 1 2 hours test with pink noise (6dB crest) between Fs and 10Fs. Power calculated on rated minimum impedance.
 2 Program Power is defined as 3dB greater than the AES Power
 3 RMS Voltage set to 2.83V at nominal impedance
 4 Xmax is defined as (Hc - Hg)/2



Frequency response measured in free air



Impedance for 16Ω driver

