



12NDL76-16

12 inch low frequency driver

Features

- 800 W continuous program power capacity
- 76 mm (3 in) aluminium voice coil

SPECIFICATIONS

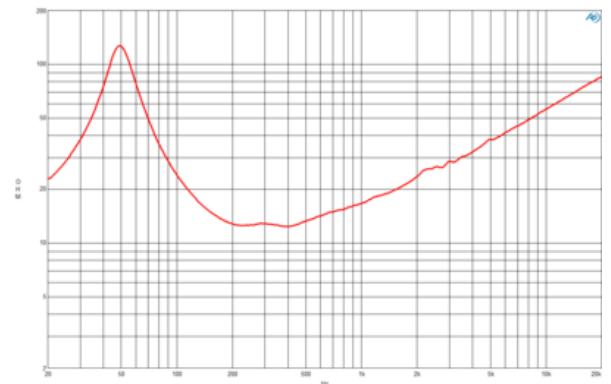
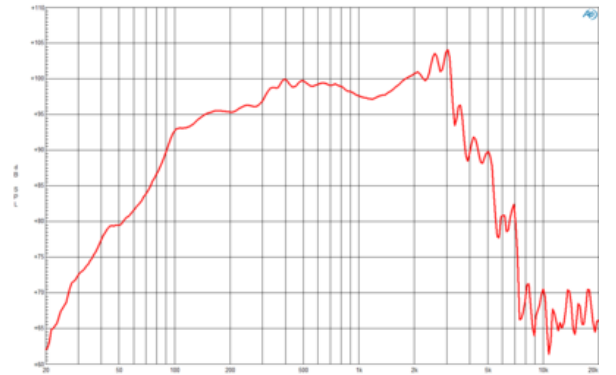
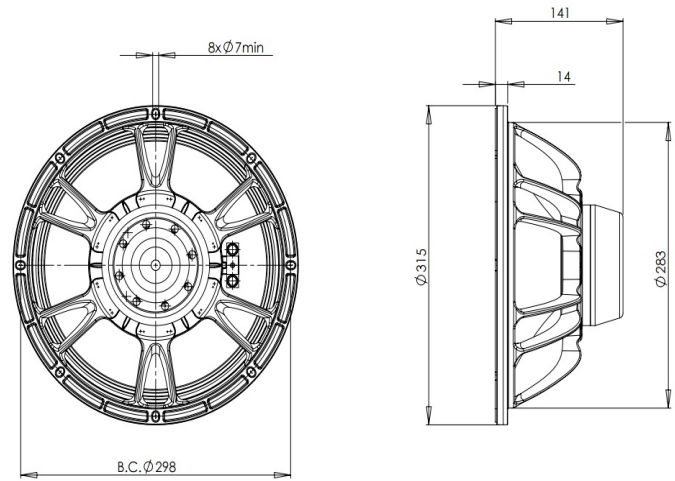
Nominal Diameter	320 mm (12.0 in)
Nominal Impedance	16 Ω
Minimum Impedance	12.5 Ω
Nominal Power Handling ¹	400 W
Continuous Power Handling ²	800 W
Sensitivity ³	100.0 dB
Frequency Range	50 - 2000 Hz
Voice Coil Diameter	76 mm (3.0 in)
Winding Material	Aluminium
Former Material	Glass Fibre
Winding Depth	19.0 mm (0.75 in)
Magnetic Gap Depth	10.0 mm (0.4 in)
Flux Density	1.25 T

PARAMETERS⁴

Resonance Frequency	50 Hz
Re	10.2 Ω
Qes	0.3
Qms	3.8
Qts	0.27
Vas	69.0 dm ³ (2.44 ft ³)
Sd	522.0 cm ² (80.9 in ²)
η _o	2.8 %
X _{max}	7.0 mm
X _{var}	7.0 mm
M _{ms}	56.0 g
Bl	24.7 Txm
Le	1.7 mH
EBP	166 Hz

MOUNTING AND SHIPPING INFO

Overall Diameter	315 mm (12.4 in)
Bolt Circle Diameter	298 mm (11.7 in)
Baffle Cutout Diameter	283.0 mm (11.1 in)
Depth	141 mm (5.5 in)
Flange and Gasket Thickness	14 mm (0.55 in)
Air Volume Occupied by Driver	2.5 dm ³ (0.08 ft ³)
Net Weight	3.9 kg (8.6 lb)
Shipping Units	1
Shipping Weight	4.5 kg (9.9 lb)
Shipping Box	360x360x200 mm (14.17x14.17x7.87 in)



<https://www.china-sanway.com/>