



### Features

- 3in Voicecoil
- High Sensitivity
- Neodymium Magnet
- Advanced Cooling System

### Specifications

Nominal Diameter	320mm (12in)
Nominal Power (AES) <sup>1</sup>	450W
Program Power <sup>2</sup>	900W
Sensitivity (1W/1m) <sup>3</sup>	97dB
Voice Coil Diameter	76mm (3in)
Magnet Material	Neodymium
Nominal Impedance	8Ω
Frequency Range	44 - 3500Hz

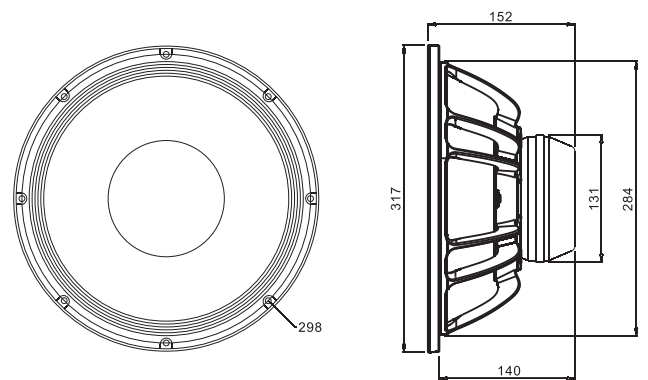
### Thiele & Small Parameters

Fs	44.1Hz
Qes	0.26
Qts	0.25
Qms	7.5
Re	5.2Ω
Sd	531cm <sup>2</sup>
Vas	59.2L
BxL	22.0Tm
Mms	87.7g
Le (1kHz)	1.4mH
Xmax (lin.) <sup>4</sup>	±6.75mm

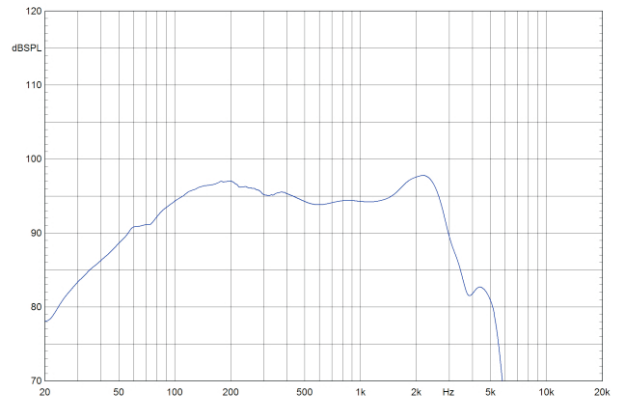
### Mounting Information

Overall Diameter	317mm
Mounting Holes Diameter	8x 8mm x 6.5mm
Bolt Circle Diameter	298mm
Baffle Cutout	285mm
Overall Depth	152mm
Net Weight	5.2kg

- Notes:**
- 1 2 hours test with pink noise (6dB crest) between Fs and 10Fs. Power calculated on rated minimum impedance.
  - 2 Program Power is defined as 3dB greater than the AES Power
  - 3 RMS Voltage set to 2.83V at nominal impedance
  - 4 Xmax is defined as (Hc - Hg)/2



Frequency response measured in a quasi-infinite baffle



Impedance for 8Ω driver

