



Contents

Contents. . . . . 1

Important note. . . . . 2

Control elements. . . . . 3

Rear panel features introduction. . . . . 4

Audio input connections. . . . . 5

Audio output connections. . . . . 6

Output Mode and connections. . . . . 7

Professional Power Amplifier Specifications. . . . . 8



Important Note

**WARNING NOTICES**

**SAFEGUARDS**

Electrical energy can perform many useful functions, This unit has been engineered and manufactured to assure your personal safety. Improper use can result in potential electrical shock or fire hazards. In order not to defeat the safeguards, observe the following precautions for its installation, use and servicing.

**Explanation of Graphical Symbols**



**CAUTION  
RISK OF ELECTRIC SHOCK  
DO NOT OPEN**



**CAUTION  
RISK OF ELECTRIC SHOCK :  
OPEN ONLY IF QUALIFIED  
AS SERVICE PERSONNEL**

**WARNING: TO PREVENT FIRE OR ELECTRIC SHOCK, DO NOT EXPOSE  
THIS EQUIPMENT TO RAIN OR MOISTURE**

**IMPORTANT NOTE**

ATTENTION: This unit must be protected from damp because of the risk of fire and the possibility of electric shocks.

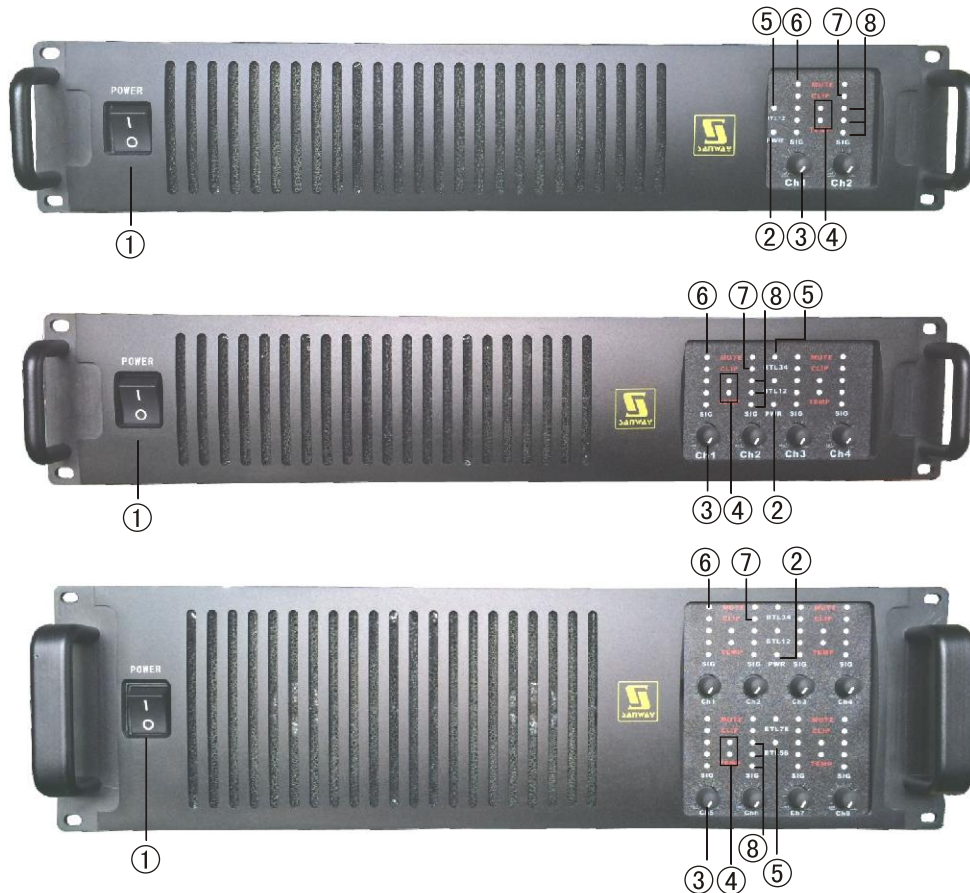
1. Make sure that you have the correct mains voltage. Only operate the unit at the mains voltage marked on the rear panel.
2. Make sure that nothing especially no metal objects are inserted into the device. This could result in electric shock or malfunction.
3. If the unit is subjected to extreme fluctuations of temperature e.g. On being transported from outside into a heated room, condensation can form. This unit should not be used until it has reached room temperature.
4. In the event of water or any other fluid being accidentally spilt on the unit switch the unit off immediately and send it to a qualified service workshop for inspection.
5. Make sure that the unit is always well ventilated and never exposed to direct sunlight
6. Do not use sprays to clean the unit as they have a detrimental effect on the unit and could ignite suddenly.
7. The machine use single power switch, please cut off the power before fix.
8. Please do not put the cup, vessel of flower or container above the machine, in case the leak out water then cause the leakage current off the machine.



Control elements

Front Panel

The front panel LED area includes the following indicators per channel:



**1. POWER SWITCH**

Turn the unit power on or off

**2. POWER LED**

Indicate power on or off

**3. LEVEL CONTROL**

Calibrated detente potentiometers to alter the total gain of the power amplifier. In order to avoid distortions in mixing consoles upstream, The calibrated markings show the additional attenuation directly.

**4. TEMP**

Indicate amplifier inside temperature level

**5. BTL LED**

Indicate BTL Mode on or off

**6. MUTE LED**

MUTE-Audio protection under mute position.

**7. CLIP/LIMIT INDICATOR**

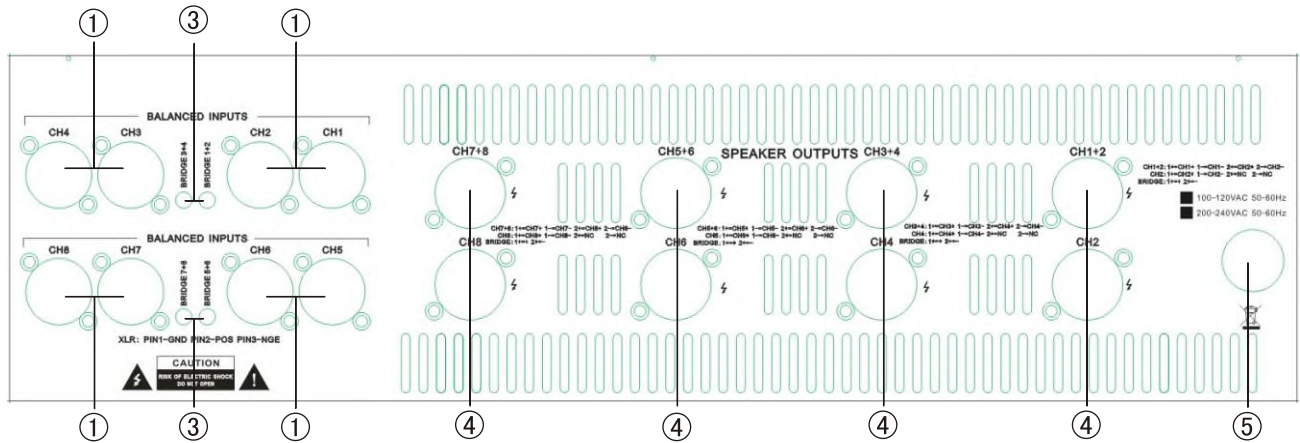
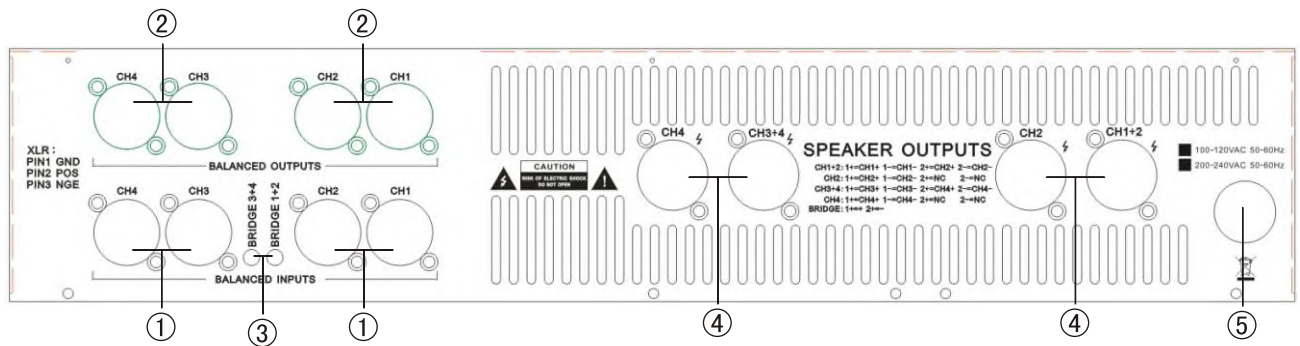
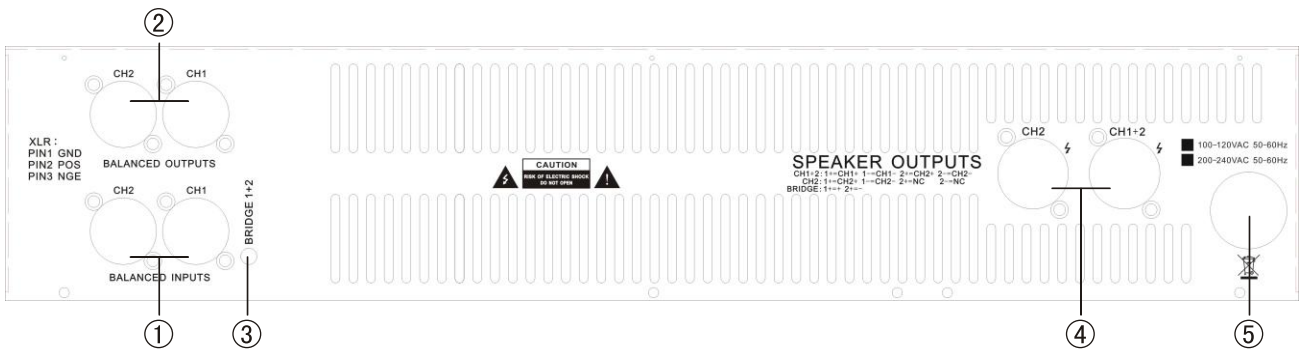
This indicator signals if the amplifier output is clipping or limiting. When the LED lights up, the limit power function is working. If the LED flashes briefly, this is not a cause for concern. If this LED is lit permanently, the volume should be reduced to avoid overload damages to the connected loudspeaker systems.

**8. SIGNAL LED**

Green SIG Indicates output signal levels in normal operating range



Rear panel features introduction

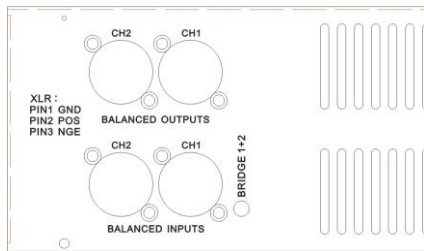


- 1. AUDIO INPUT
- 2. AUDIO LINK OUTPUT
- 3. BTL SWITCH
- 4. AMPLIFIER OUTPUT
- 5. POWER SUPPLY INPUT



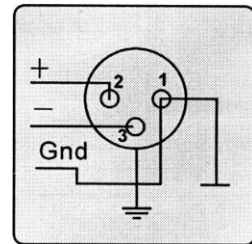
Audio input connections

BALANCED INPUT CONNECTIONS



The XLR input connectors are electronically balanced, and wired according to the IEC 268 standard ( pin 2= hot ). XLR input connectors should be wired as follows:

- Pin 1 Ground/Shield
- Pin 2 Hot (+)
- Pin 3 Cold (-)

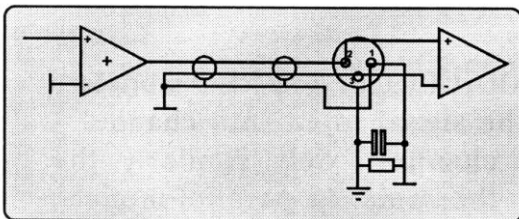


Audio input-2-channel models



When linking the same source signal to several input channels, be aware that there is a limit to the number of channels an output source can "drive". A typical output source (e.g. a DSP crossover unit) can drive up to two amplifier channels before external line-drivers might be required to buffer the signal.

Unbalanced Input connections



To connect an input to an unbalanced source, it is possible to connect pins 1 and 3 in the XLR plug at the amplifier end of the cable. However, a better method is to connect pin 3 to the shield at the source end of the cable, as this usually results in better hum and noise rejection. Balanced input connections are recommended whenever possible.

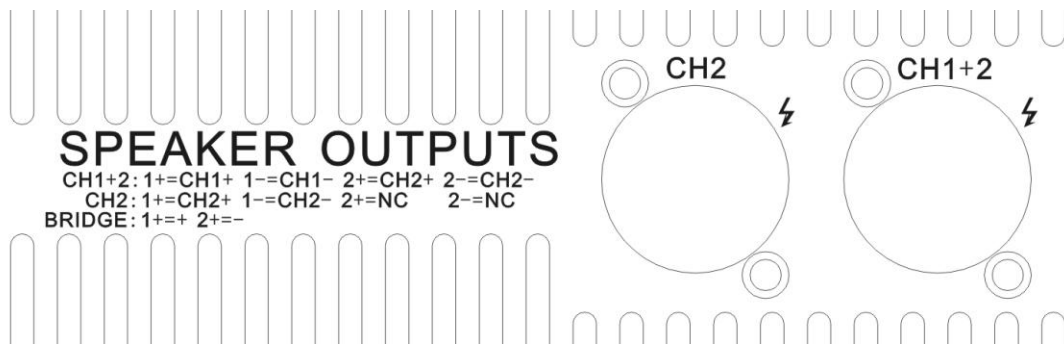




## Audio output connections

### Speakon Output connections

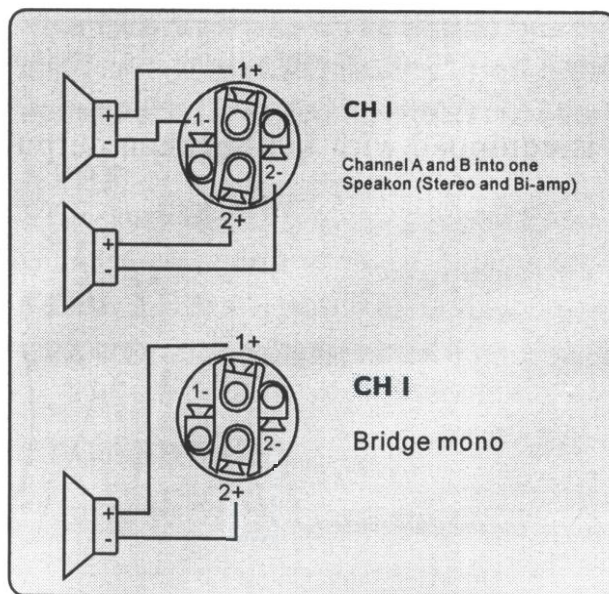
Refer to the instructions in this section if your amplifier is equipped with the Speakon output connectors



Speakon outputs-2-channel models

### Speakon outputs

**Two-channel amplifiers** Additional connectors are provided for Channel 1.



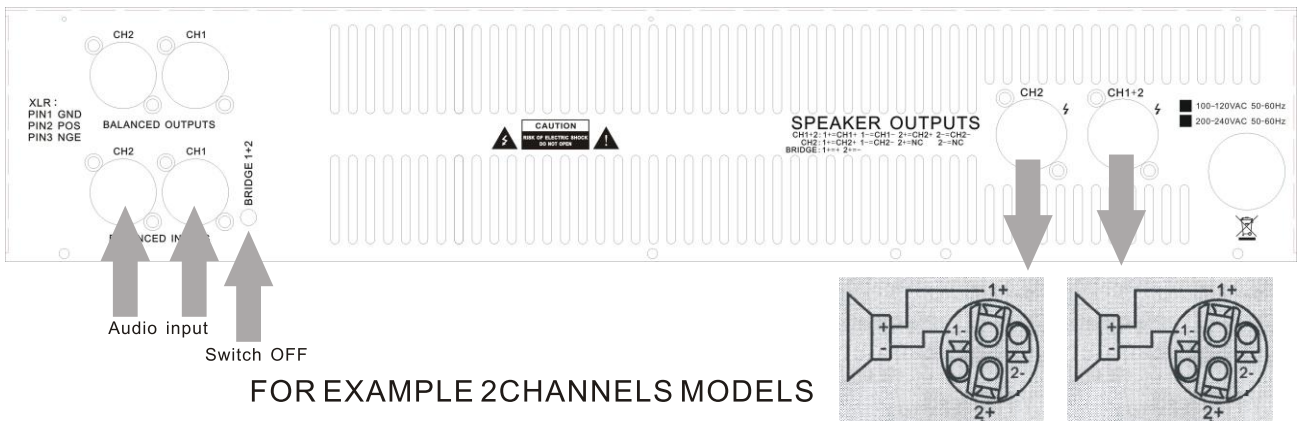


# Output Mode and connections

## Stereo Mode

Before setting the mode, please turn off the amplifier and slide the mode select switch to below (Picture 1). In this mode, Channel 1 and Channel 2 operate independently (Just traditional stereo amplifier). The signal input into channel 1 can be output from channel 1 only, similarly, the signal input into channel 2 can be output from channel 2 only. The many channels, one by one in order type pushes.

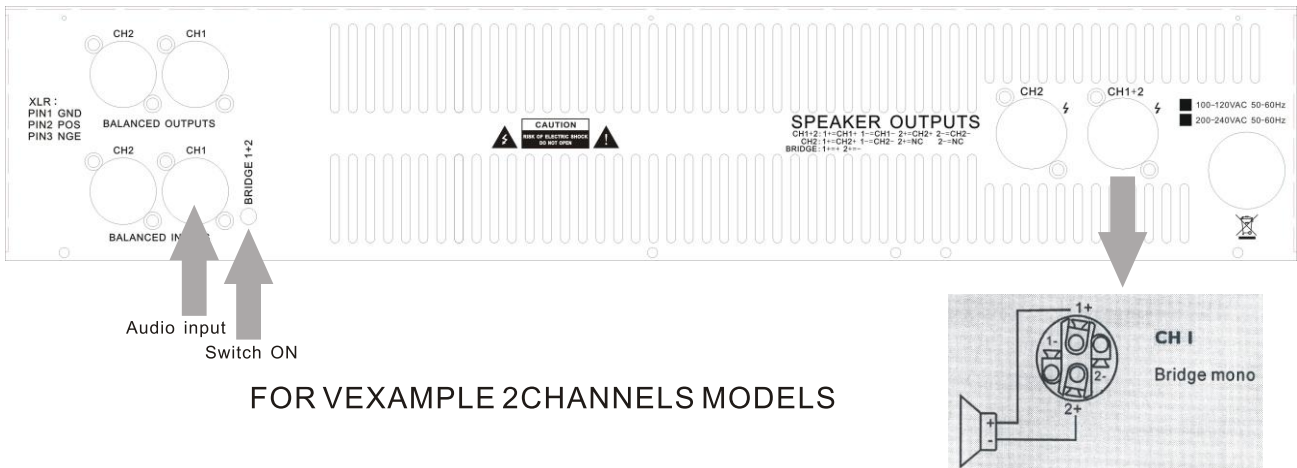
(Picture1)



## Bridge Mode

Before setting the mode, please turn off the amplifier and slide the mode select switch to above (Picture 2), channel 1 and channel 2 are bridged. At time, the signal input into channel 1 will be output from the bridge end. On other hand, the output level control of channel 2 should be turned down to smallest. Only the volume control of channel 1 are used to control the volume of whole system.

(Picture2)





## Professional Power Amplifier Specifications

SPECIFICATIONS			
ITEM	DA5002	DA5004	DA5008
8 $\Omega$ Stereo Power	2 $\times$ 500W	4 $\times$ 500W	8 $\times$ 500W
4 $\Omega$ Stereo Power	2 $\times$ 900W	4 $\times$ 900W	8 $\times$ 900W
8 $\Omega$ Bridged Power	1 $\times$ 1800W	2 $\times$ 1800W	4 $\times$ 1800W
Frequency Response	20Hz-20KHz $\pm$ 1dB		
THD+N 1KHz 1W 8 $\Omega$	<0.1%		
Signal to Noise Ratio 1KHz	>100dB		
Channel Separation 1KHz	>80dB		
Class	D		
Protection	Short, DCP, OVP, UVP, OCP, OTP		
Operating Voltage	90V-135V / 180V-265V		
Input Sensitivity	0.77V		
Input Impedance	20K $\Omega$		
Dimensions (W $\times$ H $\times$ D)	483 $\times$ 88 $\times$ 396mm		483 $\times$ 132 $\times$ 396mm
Packing Dimension	580 $\times$ 140 $\times$ 560mm		580 $\times$ 180 $\times$ 560mm
Net Weight (kg)	7.6	9.5	14.2
Gross Weight (kg)	11.5	13	18.2